



TABLE OF CONTENTS

Product Information

General Information.....	2
Vent Projections.....	3
Unit Sizing.....	4

Options

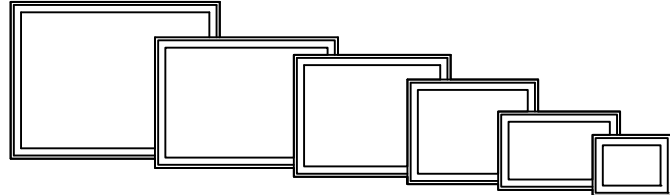
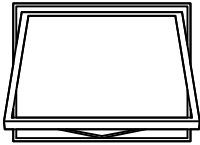
Divided Lite Options.....	5
Trim & Sill Nose Options.....	6
Frame Expander Options.....	7
Jamb Extender Options.....	8
Mullion Options.....	10

Section Details

Operator:	
Vertical Section.....	11
Horizontal Section.....	12
Picture:	
Horizontal Section.....	13
Vertical Section.....	14



GENERAL INFORMATION



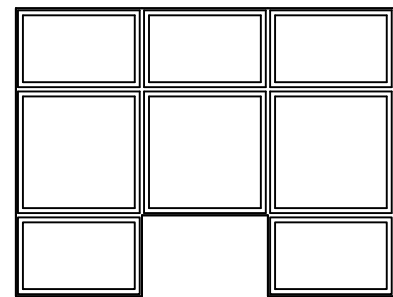
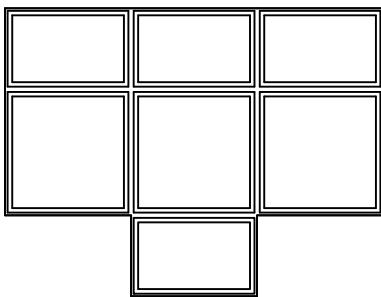
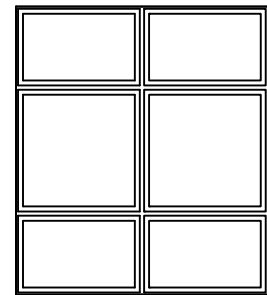
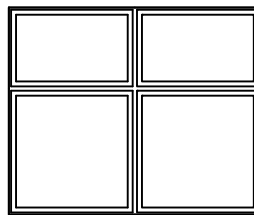
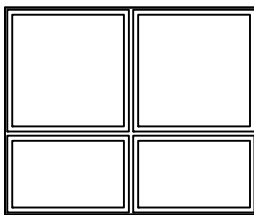
Dimensional Windows

EpicVue Awning Windows may be specified as "dimensional", by adjusting the desired rough opening width or height in 1/16" increments from standard.

EpicVue Awning Windows are available as operating, or stationary (non - venting). Operating mechanism includes corrosion resistant steel hinges and roto-type operators for venting units. Sash locks are concealed unison type with an exposed locking lever and escutcheon plate. There are several interior hardware finish options. Refer to the Specifications for finish options.

Multiple Assemblies

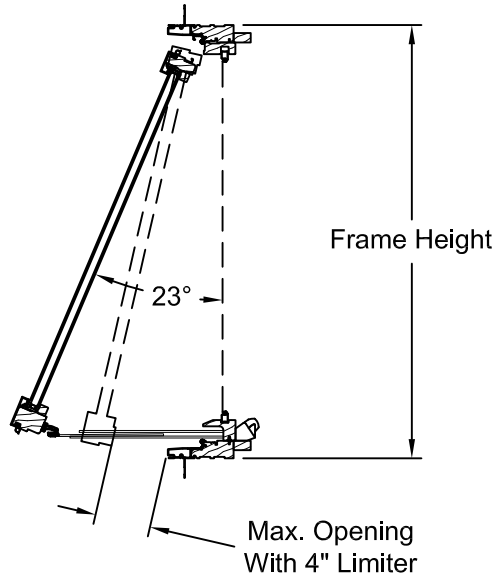
EpicVue Awning Windows may be mulled above, below, or beside other clad awning windows, or other clad window products. Factory assembled mulls are limited in height (100"), width (150").





VENT PROJECTIONS

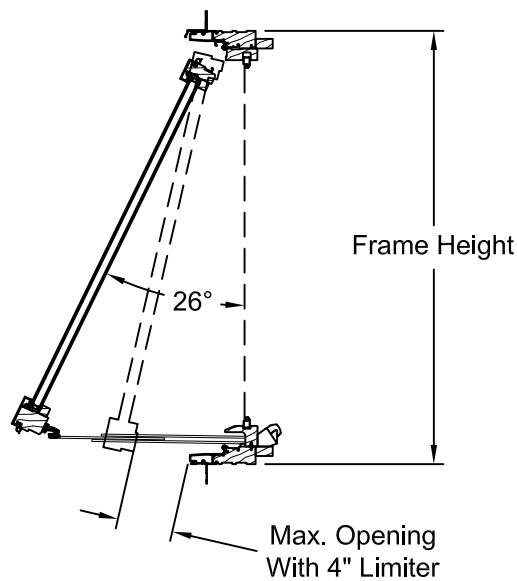
Narrow Operator
Frame Width under 21"



Roto type hardware

Note: Up to 4" max opening w/
window limiter device.

Standard Operator
Frame Width 21" and over



Roto type hardware

Awning Vent Projection

The drawings above reflect full operation. Dimensions and angles above are approximate and will vary due to frame height.

UNIT SIZING

General Notes:

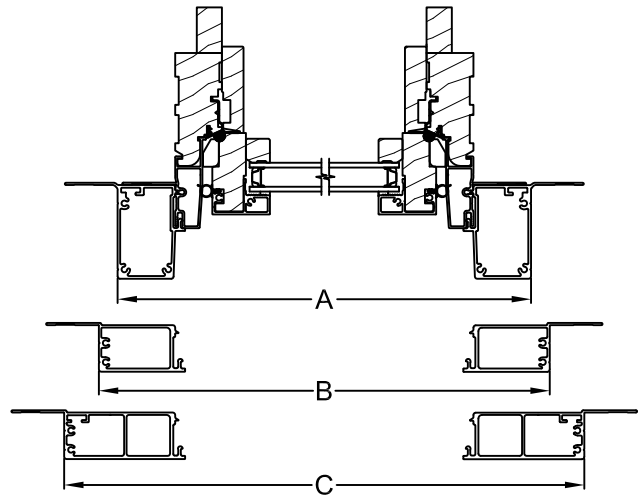
Unit size is always the maximum size of the window with or without trim and does not include nail fin.

Masonry Opening:

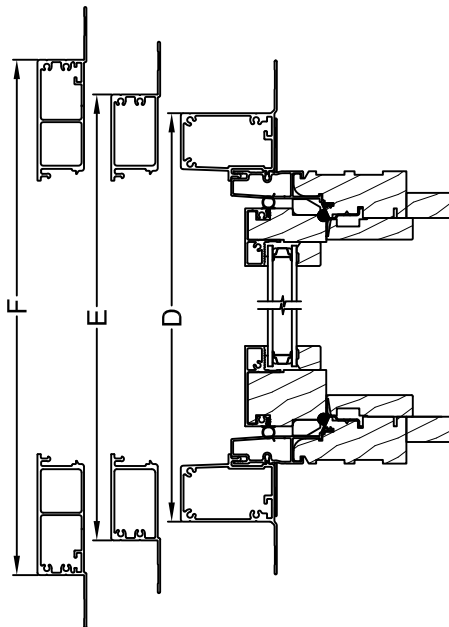
Masonry opening is always 1/2" over (height and width) the unit size or the outside of the trim of the window.

Rough Opening:

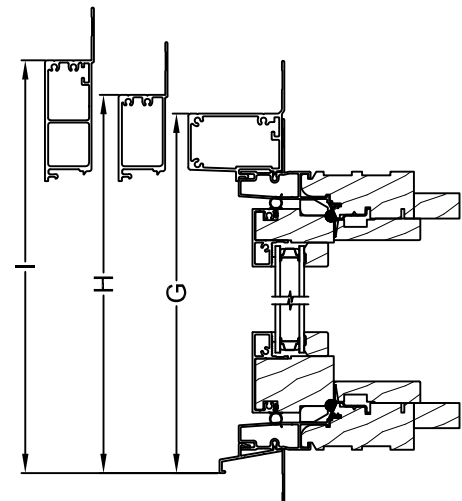
Rough opening is always 3/4" over frame size of the window.



Horizontal Sections		
Trim Option	Dimension	Frame +
Kenison Casing	A	3"
2" Flat Casing	B	4"
3 1/2" Flat Casing	C	5 7/8"



Vertical Sections Trim 4 Sides		
Trim Option	Dimension	Frame +
Kenison Casing	D	3"
2" Flat Casing	E	4"
3 1/2" Flat Casing	F	5 7/8"



Vertical Section Trim 3 Sides With Standard Sill Nose		
Trim Option	Dimension	Frame +
Kenison Casing	G	2 3/32"
2" Flat Casing	H	2 19/32"
3 1/2" Flat Casing	I	3 1/2"



DIVIDED LITE OPTIONS

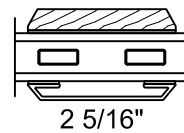
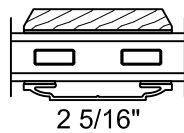
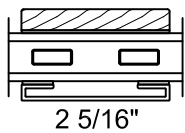
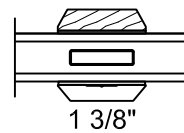
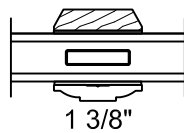
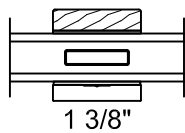
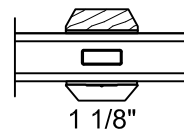
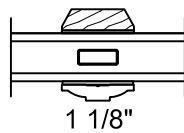
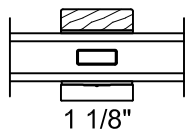
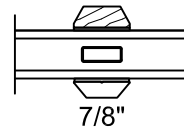
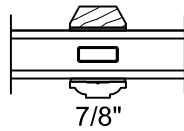
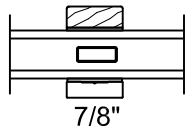
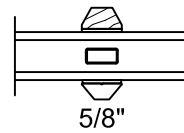
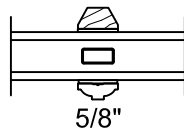
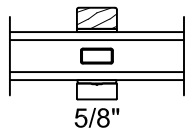
Sdl Bar Options

Contemporary
Contemporary

Putty
Bead

Putty
Putty

↑
Interior
Exterior
↓

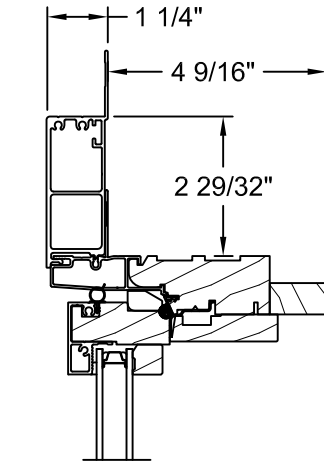


NOTE: Each exterior SDL bar style can be paired with either Contemporary or Putty interior SDL bars.

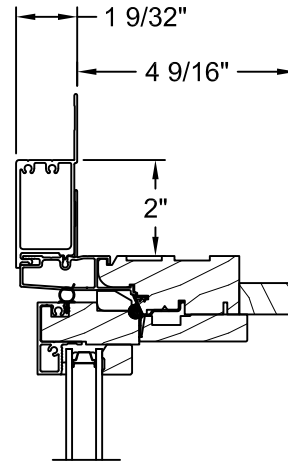


TRIM & SILL NOSE OPTIONS

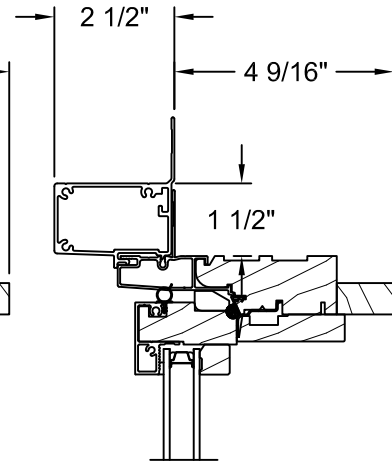
Trim Options



3 1/2" Flat Casing

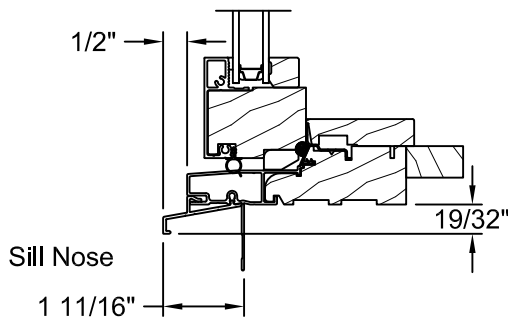


2" Flat Casing

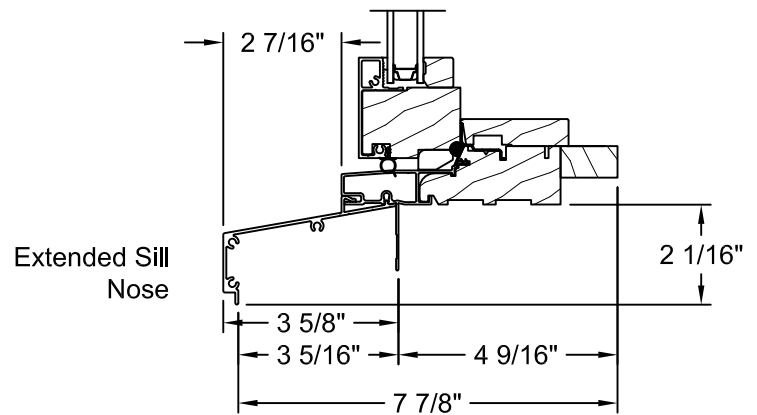


Kenison Casing

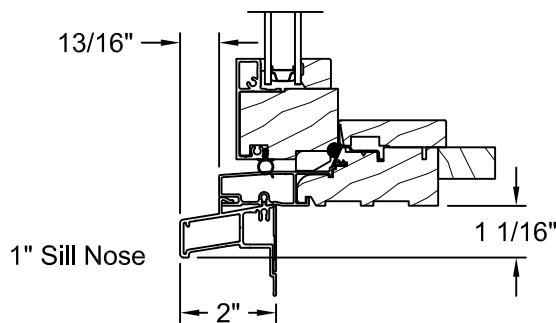
Sill Nose Options



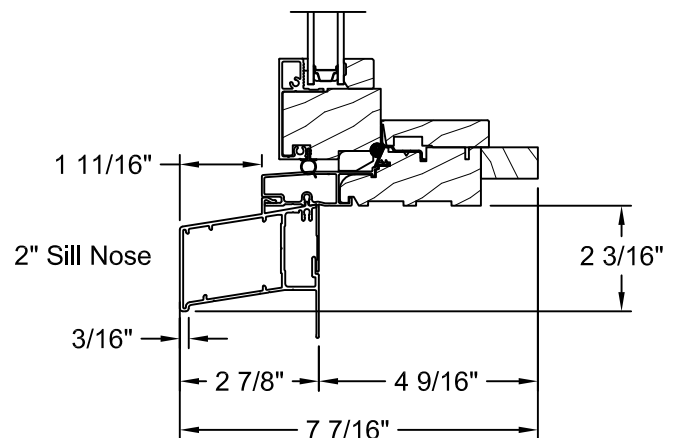
Sill Nose



Extended Sill Nose



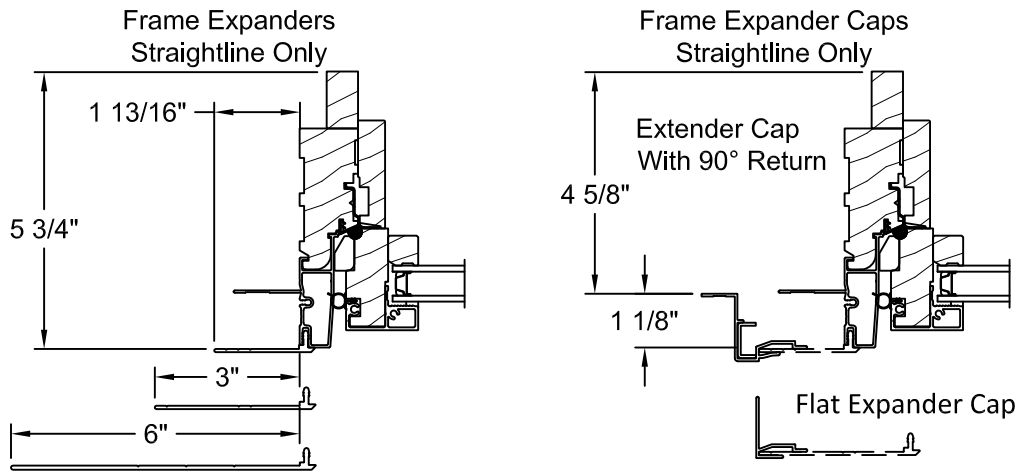
1" Sill Nose



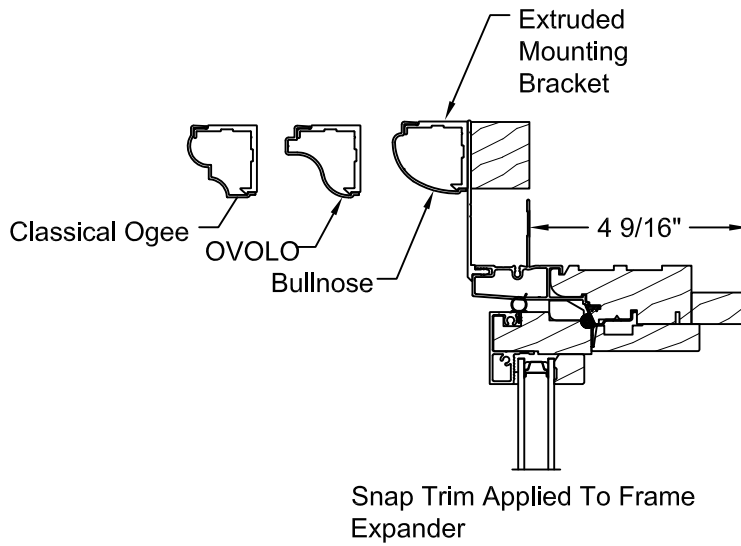
2" Sill Nose



FRAME EXPANDER OPTIONS



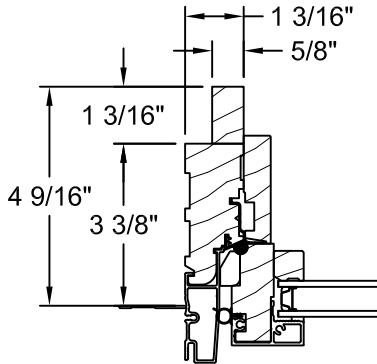
Snap Trim Options



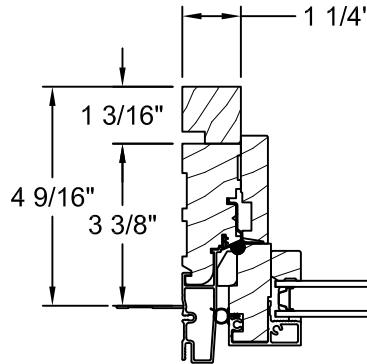


JAMB EXTENDER OPTIONS

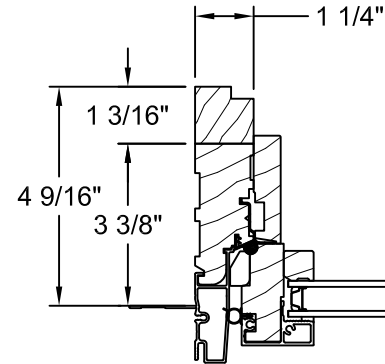
4 9/16" Wall



Standard 4/4
Jamb Extender

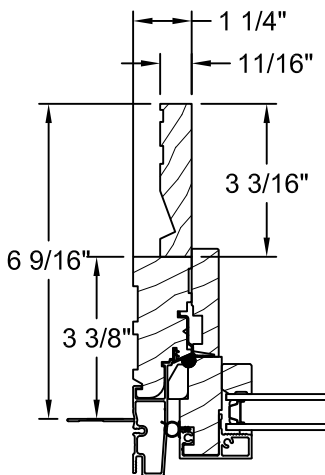


Standard 5/4
Jamb Extender

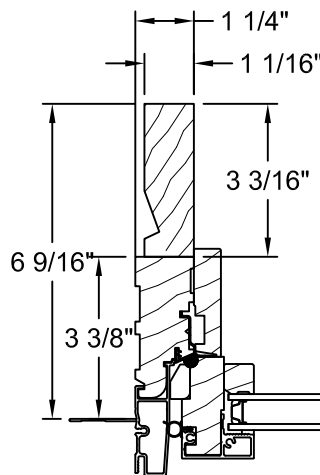


5/4 To 4/4 Reveal
Jamb Extender

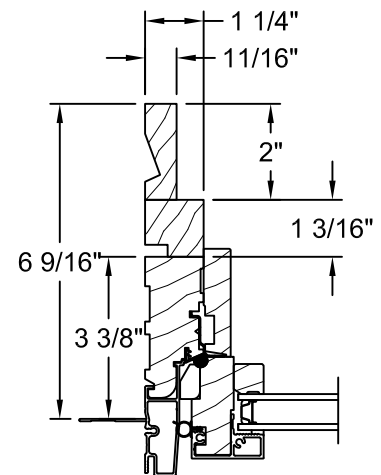
6 9/16" Wall



Standard 4/4
Jamb Extender



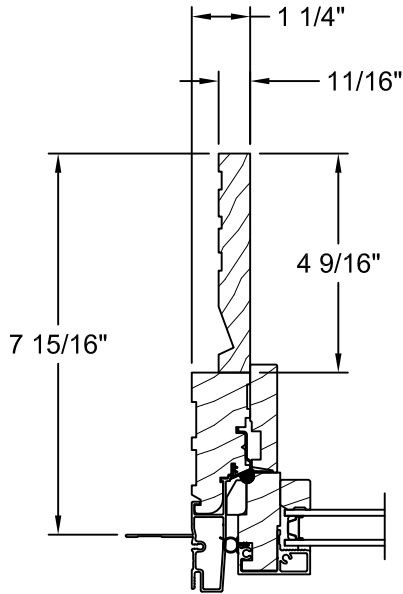
Standard 5/4
Jamb Extender



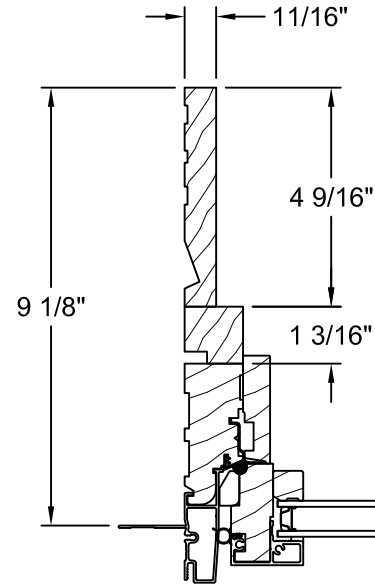
5/4 To 4/4 Reveal
Jamb Extender



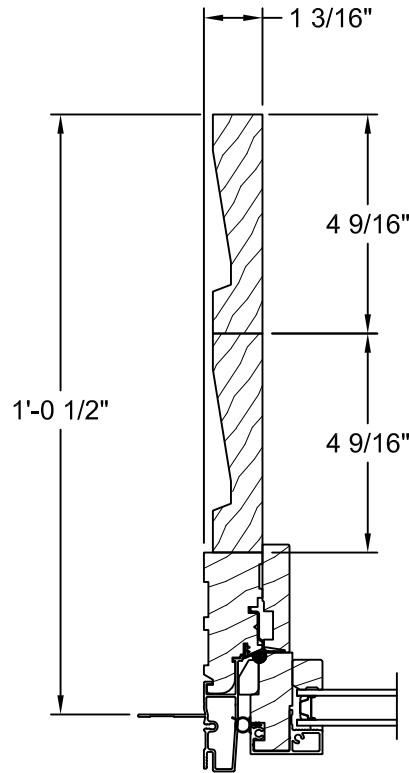
JAMB EXTENDER OPTIONS



Standard 4/4
Jamb Extender



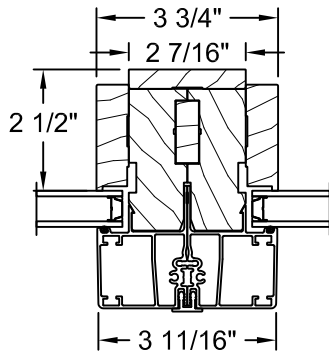
5/4 To 4/4 Reveal
Jamb Extender



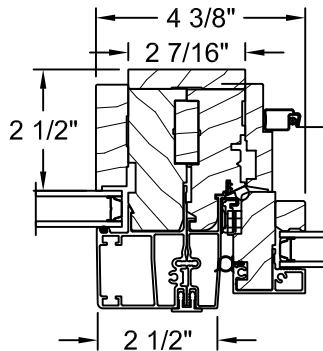
Standard 5/4
Jamb Extender



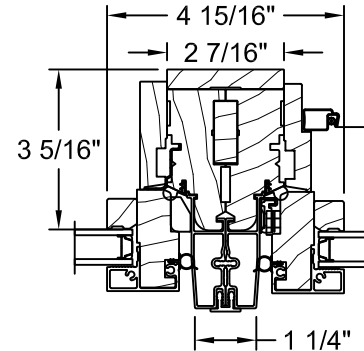
MULLION OPTIONS



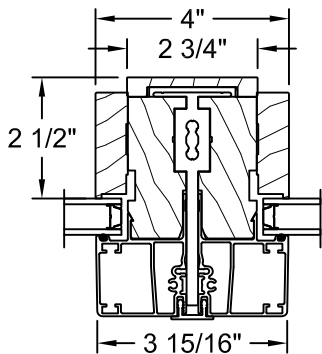
Direct Set/Direct Set



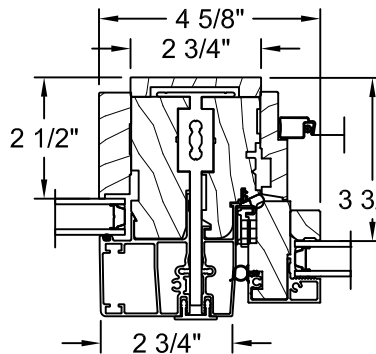
Direct Set/Awning



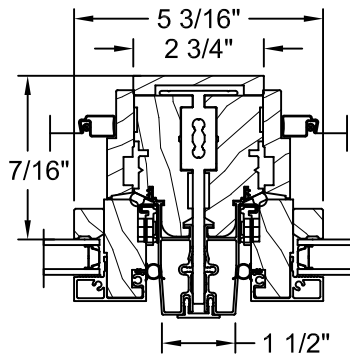
Fixed Awning/Awning



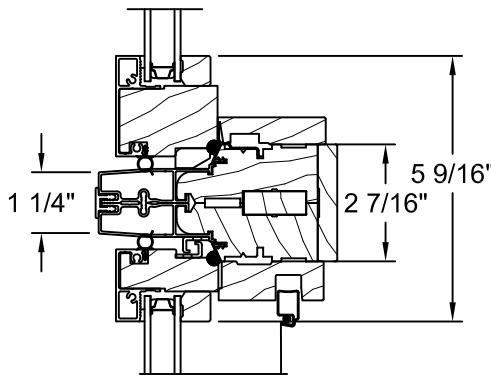
Direct Set/Direct Set
1/4" Structural



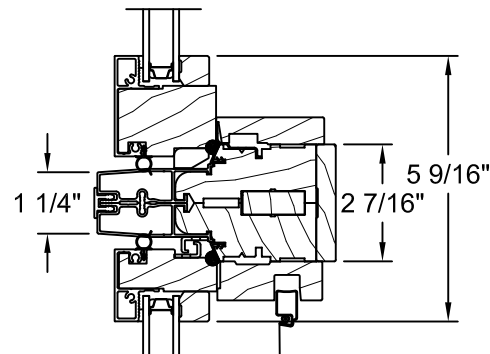
Direct Set/Awning
1/4" Structural



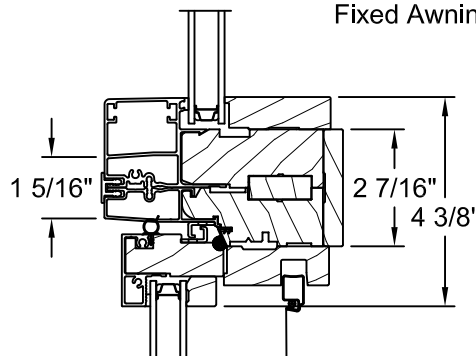
Awning/Awning
1/4" Structural



Head/Sill



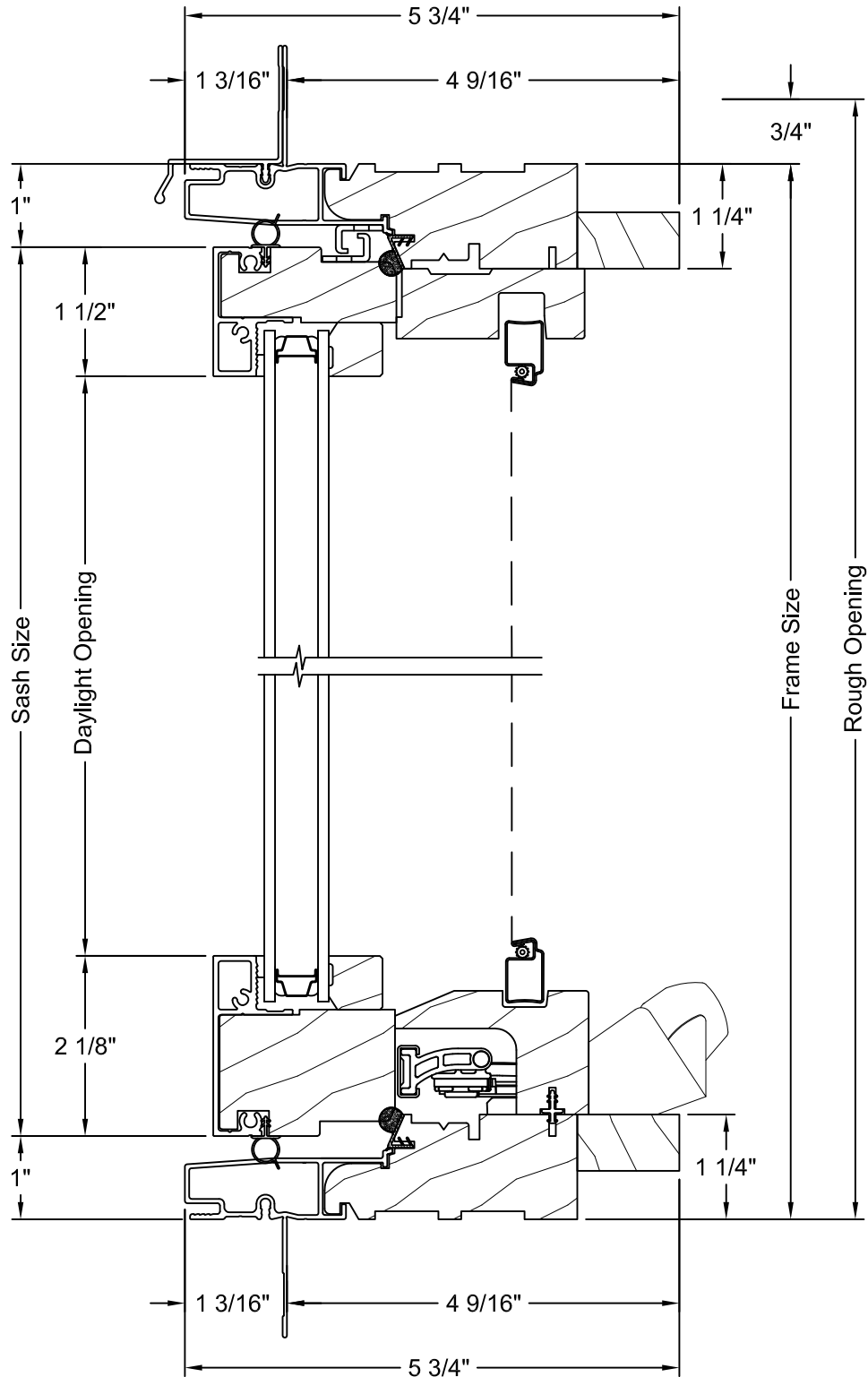
Fixed Awning/Awning



Direct Set/Awning

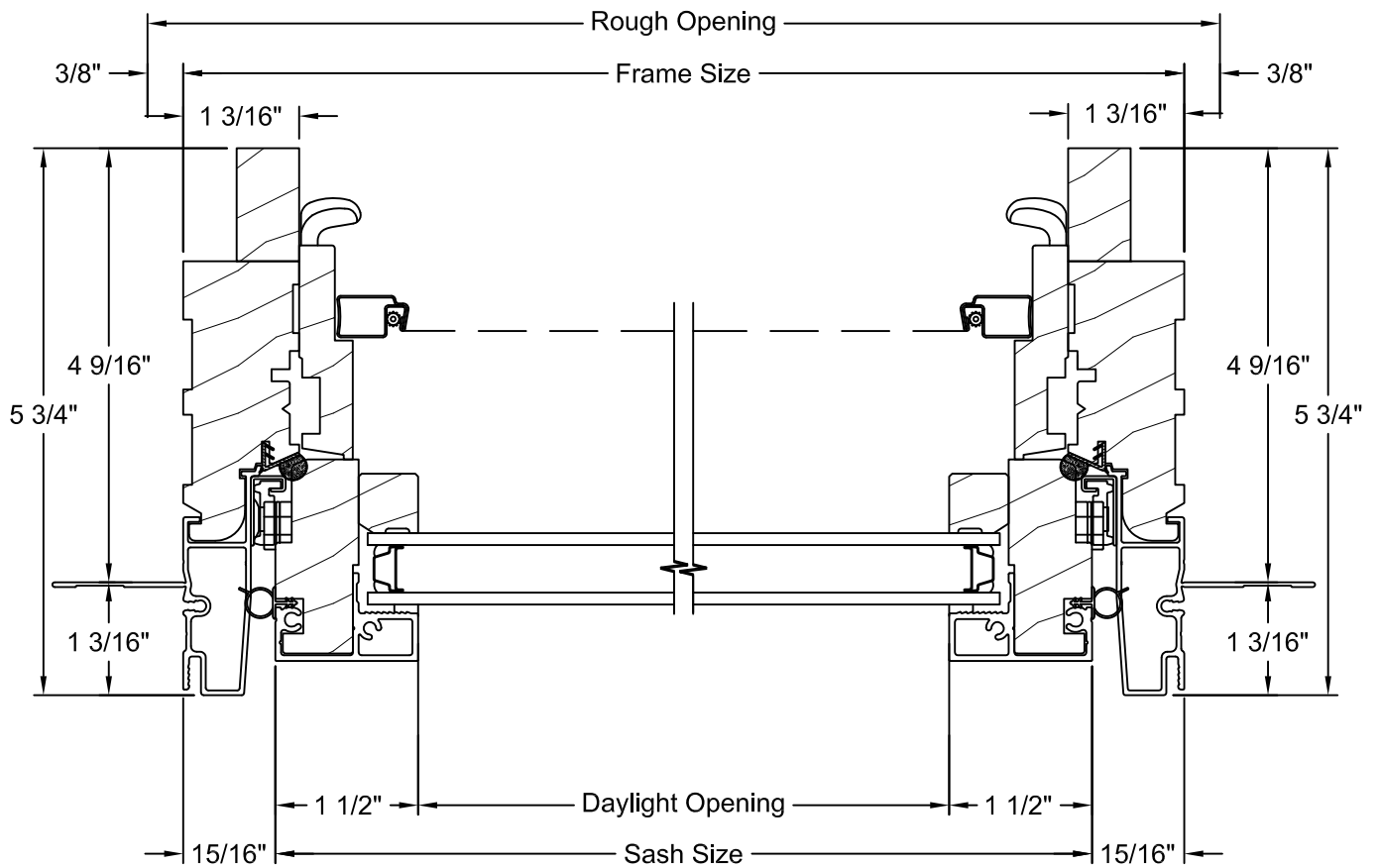


OPERATOR - VERTICAL SECTION



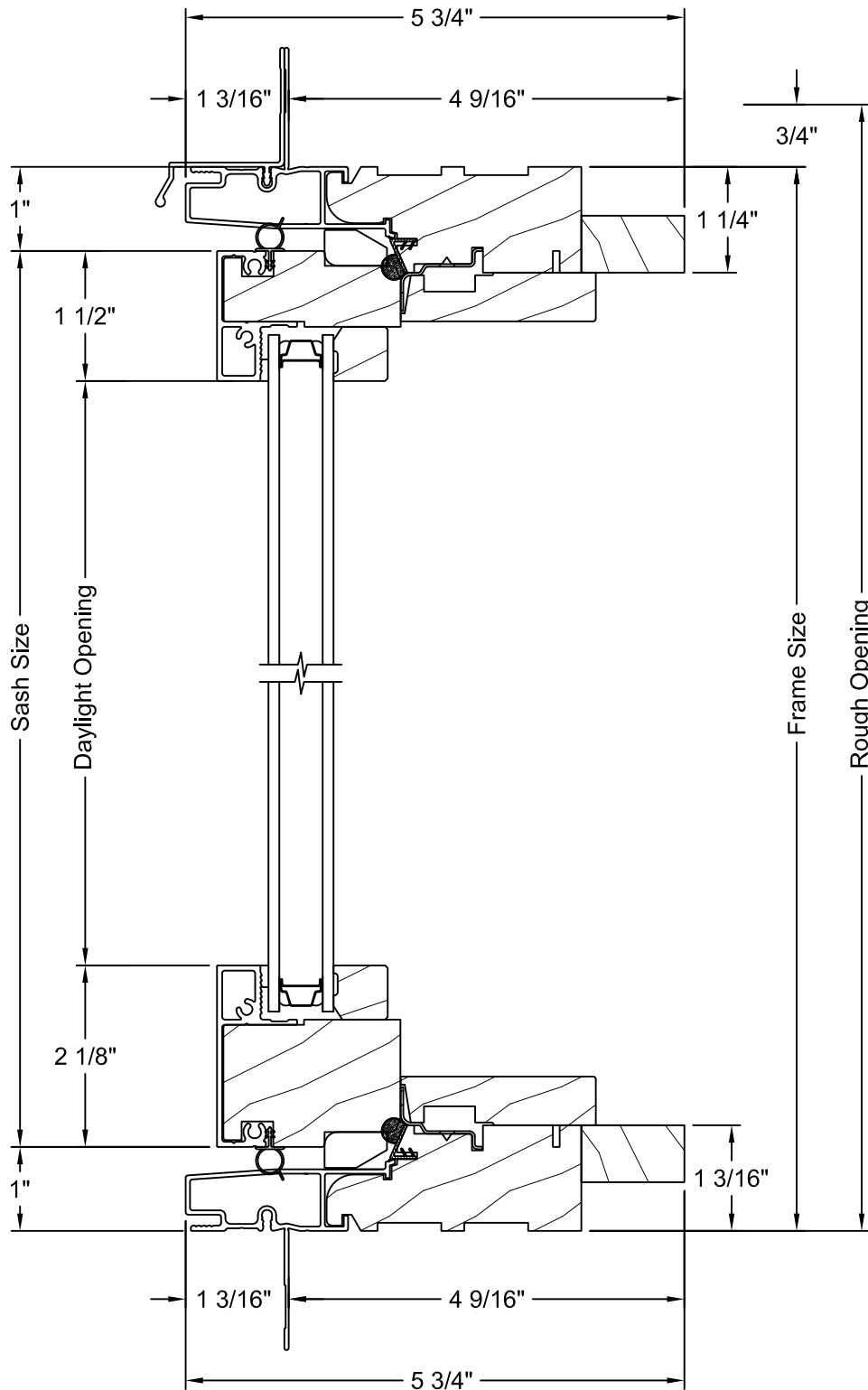


OPERATOR - HORIZONTAL SECTION





PICTURE - VERTICAL SECTION





PICTURE - HORIZONTAL SECTION

